

SPSE105 : SP Kinder

Twin Sliding Door Quadrant Shower Enclosure
800x800mm

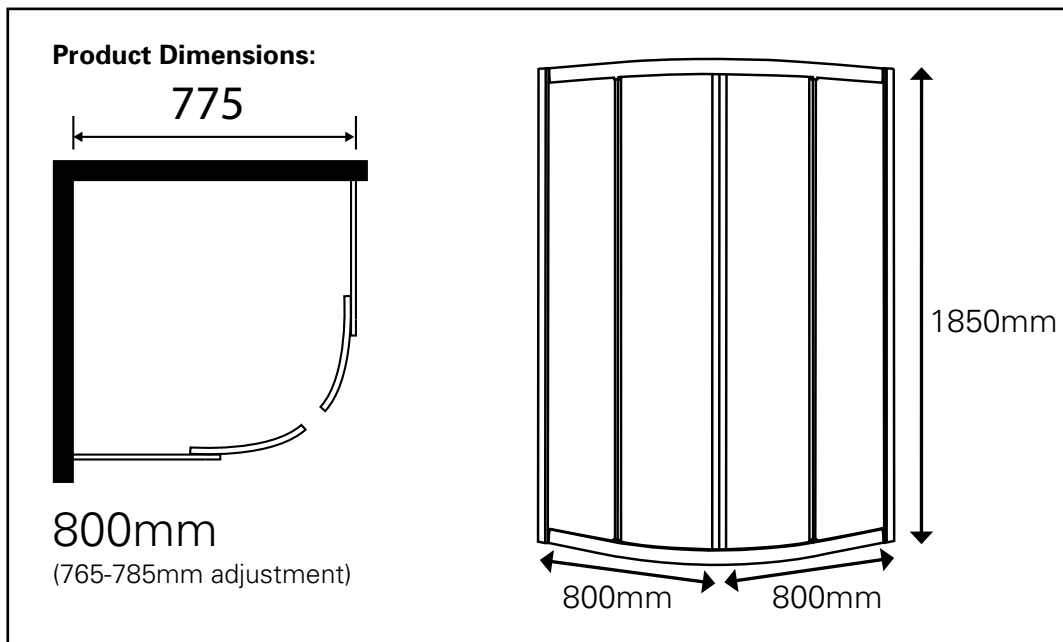
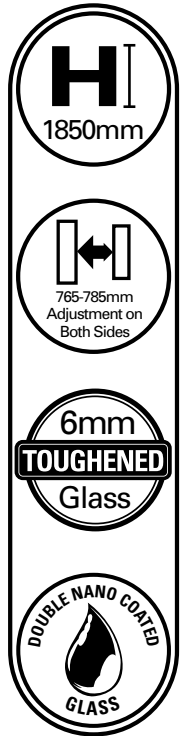


332410 Technical specification sheet

- 6mm clear toughened glass EN12150
- Chrome finish frame
- Adjustable, quick release doors
- Stainless steel handles
- Zinc alloy quick release double rollers
- Magnetic seals
- Includes all fittings and spare seals

Further Information:

Manual Included: Yes Profile Adjustment: +/- 10mm
 Material: Double Nano Coated Glass Waste Included: No
 Screen Thickness: 6mm Shower Tray Included: No

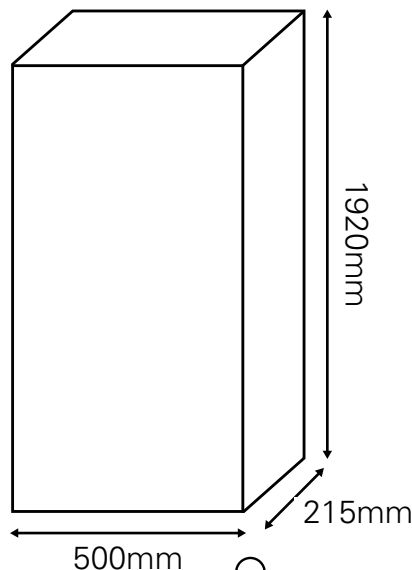


| Spare parts list | |
|--|--------|
| Rubber F Seal (Wide) for 6mm Glass | SRS55 |
| Rubber F Seal (Narrow) for 6mm Glass | SRS60 |
| 45° Magnetic Door Seal for 6mm Glass | SMDS5 |
| Tall Chrome Stainless Steel Handles | SH10 |
| Aluminium Screw Covers | SSCP5 |
| 24mm Door Wheels Top & Bottom with Chrome Covers | SW10 |
| Chrome Glass Panel Fixing Blocks & Screw Covers | SCPFK5 |

Product Image:



Pack Dimensions:



43KG
Product Weight

44KG
Packed Weight