

SPSE130 : SP Kinder

Twin Sliding Door Offset Shower Enclosure
1200x800mm

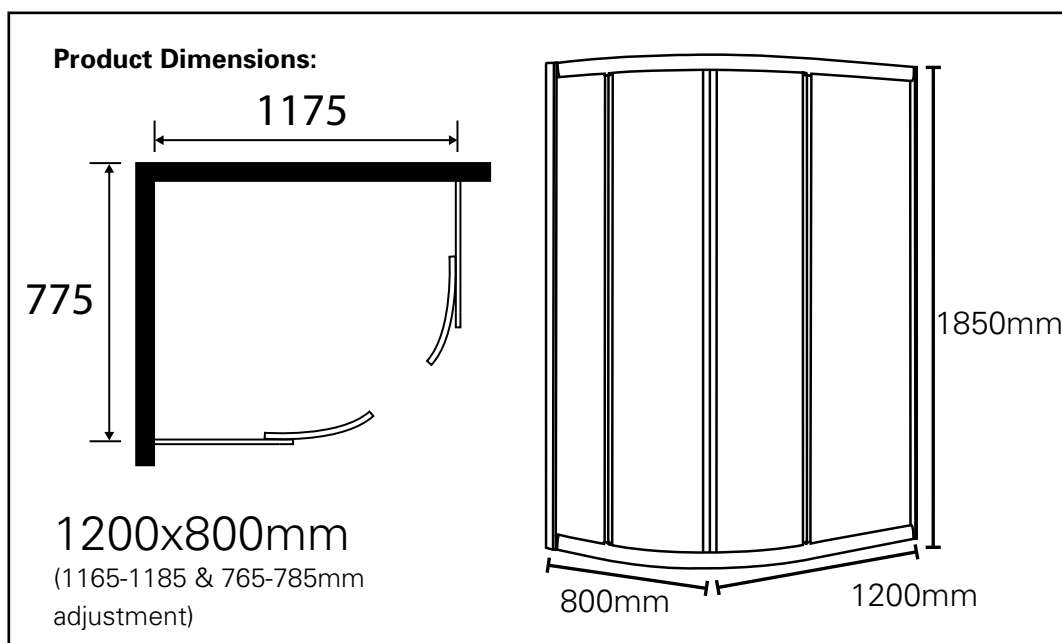
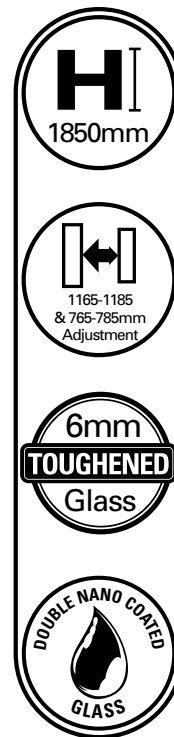


332709 Technical specification sheet

- 6mm clear toughened glass EN12150
- Chrome finish frame
- Adjustable, quick release doors
- Stainless steel handles
- Zinc alloy quick release double rollers
- Magnetic seals
- Includes all fittings and spare seals
- Can be fitted either left or right handed

Further Information:

Manual Included: Yes Profile Adjustment: +/- 10mm
 Material: Double Nano Coated Glass Waste Included: No
 Screen Thickness: 6mm Shower Tray Included: No

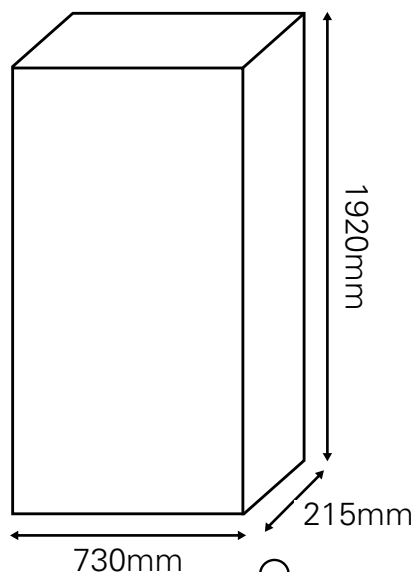


Spare parts list	
Rubber F Seal (Wide) for 6mm Glass	SRS55
Rubber F Seal (Narrow) for 6mm Glass	SRS60
45° Magnetic Door Seal for 6mm Glass	SMDS5
Tall Chrome Stainless Steel Handles	SH10
Aluminium Screw Covers	SSCP5
24mm Door Wheels Top & Bottom with Chrome Covers	SW10
Chrome Glass Panel Fixing Blocks & Screw Covers	SCPFK5

Product Image:



Pack Dimensions:



56KG
Product Weight

57KG
Packed Weight